



# Enhancing Gripper Mechanisms with Sensors for Precise Rice Planting in Robotic Competition Applications

Agus Siswoyo<sup>a,1,\*</sup>

<sup>a</sup> Department of Mechatronics, Sanata Dharma University, Jl. Affandi, Mrican, Caturtunggal, Depok, Kab. Sleman 55281, Indonesia

<sup>1</sup> Woyo@usd.ac.id

\* corresponding author

## ABSTRACT

### Keywords

Gripper Mechanism  
Robotic Contests  
Rice Planting  
Automation  
Sensor Integration  
Motion control

The growing demand for precision in agricultural robotics, particularly in competitive environments, has driven the development of advanced gripper mechanisms capable of efficient and accurate rice planting. This study presents the optimization of sensor-enhanced gripper mechanisms designed specifically for precision rice planting in robotic contest applications. The gripper integrates force sensors, proximity sensors, and high-resolution visual sensors, allowing for real-time feedback and adaptive control during the planting process. The system was tested both in laboratory simulations and real-world field conditions, with a focus on achieving high planting accuracy, reducing seedling damage, and enhancing overall operational efficiency. The implementation of Proportional-Integral-Derivative (PID) control and advanced image processing algorithms, such as Convolutional Neural Networks (CNN), allowed the gripper to perform with superior precision in dynamic environments typical of robotic contests. Experimental results demonstrated significant improvements in planting depth accuracy, seedling survival rates, and operational speed compared to traditional methods, highlighting the system's potential for both competitive and practical agricultural applications. This research contributes to the ongoing development of robotic systems in agriculture and provides a robust framework for the deployment of precision planting technologies in competitive settings.

This is an open access article distributed under [CC-BY-SA](#).



## 1. Introduction

Rice, a staple food for more than half of the world's population, plays a crucial role in global food security and agricultural economics. As the world faces increasing challenges related to population growth, climate change, and resource scarcity, the need for innovative and efficient rice cultivation methods has never been more pressing. In this context, the optimization of sensor-enhanced gripper mechanisms for precision rice planting emerges as a groundbreaking technological advancement with the potential to revolutionize the rice farming industry [1].

Traditional rice planting methods, whether manual or mechanized, have long been plagued by issues of inconsistency in seed placement, depth, and spacing. These inconsistencies can lead to suboptimal crop yields, inefficient use of resources, and increased labor costs. The advent of precision agriculture, particularly the development of sensor-enhanced gripper mechanisms, offers a promising solution to these longstanding challenges.

The concept of precision agriculture, which involves the use of technology to enhance crop management and improve yields, has gained significant traction in recent years. However, its application to rice planting, especially in the form of sensor-enhanced gripper mechanisms, represents a new frontier in agricultural innovation. These advanced systems combine cutting-edge sensor technologies with precisely engineered gripper mechanisms to achieve unprecedented levels of accuracy and efficiency in rice seedling planting [2].





At the core of this technology are the gripper mechanisms, which are designed to handle individual rice seedlings with minimal damage. These grippers must be capable of gently yet securely grasping delicate rice seedlings and placing them in the soil with precision. The optimization of these gripper mechanisms involves a multidisciplinary approach, drawing from fields such as robotics, materials science, and agricultural engineering [2],[3].

The "sensor-enhanced" aspect of these systems is what truly sets them apart from conventional planting methods. A array of sensors work in concert to ensure optimal planting conditions and placement. Force sensors control the gripping pressure, ensuring that seedlings are handled gently to prevent damage [4]. Optical sensors play a crucial role in accurately detecting and aligning seedlings, while depth sensors maintain consistent planting depth across varying soil conditions. GPS and positioning systems further enhance the precision of the planting process, ensuring accurate row alignment and spacing.

The integration of these sensors with the gripper mechanisms creates a smart system capable of real-time decision-making and adjustment. This adaptability is crucial in the dynamic and often unpredictable environment of agricultural fields. For instance, the system can adjust its gripping force based on the size and fragility of individual seedlings, or modify planting depth in response to changes in soil moisture or composition.

The optimization of sensor-enhanced gripper mechanisms for rice planting is not merely a technical challenge; it represents a paradigm shift in how we approach rice cultivation [5]. By dramatically improving the precision and efficiency of the planting process, this technology has the potential to address several critical issues facing global rice production.

Firstly, optimized planting can lead to significant increases in crop yields. When rice seedlings are planted at the optimal depth and spacing, they have better access to nutrients, water, and sunlight. This improved resource allocation can result in stronger, healthier plants and, ultimately, higher grain yields. In a world where arable land is becoming increasingly scarce, the ability to produce more rice from the same area of land is invaluable.

Secondly, precision planting contributes to resource conservation. By ensuring that each seedling is placed exactly where it needs to be, these systems can reduce seed waste. Moreover, the precise placement of seedlings can lead to more efficient use of water and fertilizers, as resources can be directed more accurately to where they are needed most. This not only reduces input costs for farmers but also mitigates the environmental impact of rice cultivation.

Thirdly, the automation offered by sensor-enhanced gripper mechanisms can significantly reduce labor requirements [6], [8]. Rice planting is traditionally a labor-intensive process, often requiring large numbers of workers for manual transplanting. In many rice-producing regions, rural-to-urban migration has led to labor shortages, making automation increasingly necessary. By reducing labor needs, this technology can help address these shortages while also potentially reducing production costs.

The optimization of these systems also opens up new possibilities for data-driven agriculture. The sensors used in these mechanisms can collect valuable data on soil conditions, planting patterns, and seedling characteristics [7]. When analyzed, this data can provide insights that inform future crop management decisions, leading to a cycle of continuous improvement in rice cultivation practices.

However, the development and optimization of sensor-enhanced gripper mechanisms for rice planting is not without challenges. One of the primary obstacles is the need to create systems that are adaptable to various rice varieties and growing conditions. Rice is cultivated in a wide range of environments, from flooded paddies to upland fields, and different varieties have different physical characteristics. Creating gripper mechanisms that can handle this diversity while maintaining precision is a significant engineering challenge [9], [11].

Another crucial aspect of optimization is improving the durability and reliability of these systems. Agricultural environments can be harsh, with exposure to water, soil, and varying weather conditions. Ensuring that the delicate sensors and precise mechanisms can withstand these conditions over extended periods is essential for the practical application of this technology.



Energy efficiency is another key consideration in the optimization process. Many rice-growing regions have limited access to reliable power sources, making it crucial to develop systems that can operate efficiently on limited energy inputs. This might involve the use of energy-harvesting technologies or the development of ultra-low-power sensors and actuators.

Cost is also a significant factor in the widespread adoption of this technology. While large-scale industrial farms might be able to invest in advanced planting systems, making this technology accessible to small-scale farmers, who produce a significant portion of the world's rice, is crucial. Optimization efforts must therefore also focus on cost reduction without compromising on precision or reliability.

As we delve deeper into the optimization of sensor-enhanced gripper mechanisms for precision rice planting, we open up new avenues for research and development in agricultural technology [10]. This field sits at the intersection of multiple disciplines, including robotics, sensor technology, artificial intelligence, and agronomics. The insights gained from this work have the potential to spill over into other areas of agriculture, potentially revolutionizing how we approach crop planting and management across various species.

In conclusion, the optimization of sensor-enhanced gripper mechanisms for precision rice planting represents a significant leap forward in agricultural technology. By addressing longstanding challenges in rice cultivation, this innovation has the potential to enhance food security, improve resource efficiency, and transform the economics of rice production. As we continue to refine and improve these systems, we move closer to a future where precision, sustainability, and abundance go hand in hand in global rice cultivation.

## 2. The Proposed Method/Algorithm

### 2.1. Flowchart and Design hardware

First,



Fig. 1. Flowchart design system



The flowchart for the design system of the robot focused on enhancing gripper mechanisms with sensors for precise rice planting in robotic competition applications outlines the sequential process of integrating and optimizing various components to achieve high precision and efficiency. It begins with the Sensor System, which includes force sensors, proximity sensors, and visual sensors. These sensors are crucial for gathering real-time data on the environment, such as the exact position and condition of the rice seedlings. The data collected by the sensors is then sent to the Control System, where it is processed by advanced algorithms, including PID control for force regulation and image processing techniques for accurate positioning. This system ensures that the gripper applies the correct amount of force and accurately places the seedlings, preventing damage and ensuring proper planting.

The processed data and control commands are then utilized by the Decision-Making Framework, which integrates all sensor inputs to guide the gripper's movements in real-time. The framework communicates with the Actuation System, which physically manipulates the gripper based on the calculated optimal movements. Feedback from the gripper's actions is continuously monitored and fed back into the system, enabling ongoing adjustments to improve performance. This loop is tested both in simulated environments and real field conditions, as outlined in the Experimental Setup, with results analyzed to refine the system further. Finally, the system's energy efficiency and resource utilization are assessed, ensuring the robot is not only precise but also economical in its operation.

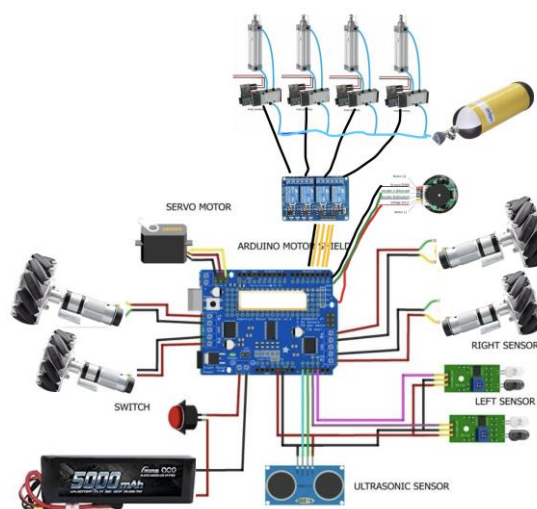


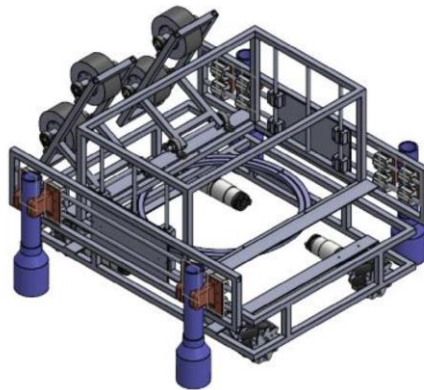
Fig. 2. Circuit Diagram Robot Rice Planting

The circuit diagram for the robot designed to enhance gripper mechanisms with sensors for precise rice planting in robotic competition applications involves several key components working in harmony to achieve optimal performance. At the core of the circuit is a microcontroller, which acts as the brain of the system, managing inputs from various sensors and controlling the gripper's movements. The microcontroller is connected to force sensors, proximity sensors, and high-resolution cameras, each responsible for providing critical data about the environment and the objects the gripper interacts with. The force sensors, using strain gauge technology, monitor the pressure applied by the gripper, ensuring that the rice seedlings are handled delicately yet securely. Proximity sensors, usually infrared, detect the presence and position of the seedlings, while the cameras provide visual feedback for precise alignment and navigation. All this sensor data is fed into the microcontroller, where it is processed to make real-time decisions on the gripper's actions.

The microcontroller is also connected to the actuation system, which includes motors and actuators responsible for the physical movement of the gripper. Based on the sensor inputs, the microcontroller sends signals to the motors, controlling their speed and direction to execute the required movements. The circuit also integrates a power management system to ensure consistent energy supply, as precision planting requires the gripper to operate smoothly without interruptions. The control algorithm, often incorporating techniques like PID control for force regulation and Kalman filtering for sensor data accuracy, is implemented within the microcontroller's programming. The circuit may also include communication modules to allow for data transmission between the robot



and an external control unit or a monitoring system, providing real-time updates on the robot's performance during the competition. This comprehensive circuit setup ensures that the gripper mechanism operates efficiently, adapting to dynamic conditions in the competition environment to achieve precise and consistent rice planting.



**Fig. 3.** Design Robot Rice Planting

The mechanical design of the robot in "Enhancing Gripper Mechanisms with Sensors for Precise Rice Planting in Robotic Competition Applications" focuses on creating a lightweight, durable, and highly maneuverable gripper capable of handling delicate rice seedlings with precision. The gripper mechanism is engineered with corrosion-resistant materials suitable for humid rice field conditions, ensuring long-term reliability. The design integrates multiple sensors, including force sensors to regulate gripping pressure, proximity sensors for detecting seedling placement. These sensors work in tandem with a sophisticated control system, enabling the robot to plant rice seedlings accurately and consistently, even in varying field conditions. The mechanical structure is optimized for agility, allowing the robot to adapt to the dynamic environment typical of robotic competitions.

### 3. Method

#### 3.1. Gripper Design and Sensor Integration

The study began with the design and fabrication of an advanced gripper mechanism specifically tailored for handling rice seedlings. The gripper was constructed using lightweight, corrosion-resistant materials to withstand the humid conditions typical in rice cultivation. Three types of sensors were integrated into the gripper design: force sensors, proximity sensors, and visual sensors. Force sensors, utilizing strain gauge technology, were strategically placed on the gripper fingers to provide real-time feedback on gripping pressure. Infrared proximity sensors were installed around the gripper opening to detect approaching seedlings and assist in precise positioning. High-resolution cameras serving as visual sensors were mounted above the gripper to aid in seedling alignment and overall system guidance. The integration of these sensors was carefully calibrated to ensure seamless communication with the control system.

#### 3.2. Control System Development and Algorithm Implementation

A sophisticated control system was developed to process sensor data and govern the gripper's actions. The system employed a combination of PID (Proportional-Integral-Derivative) control for force regulation and adaptive algorithms to optimize performance over time. The force control algorithm was designed to maintain optimal gripping pressure without damaging the delicate rice seedlings, with the PID controller expressed as  $F(t) = K_p * e(t) + K_i * \int e(t)dt + K_d * de(t)/dt$ , where  $F(t)$  is the control force,  $e(t)$  is the error between desired and actual force, and  $K_p$ ,  $K_i$ , and  $K_d$  are proportional, integral, and derivative gains respectively. For seedling detection and positioning, a Kalman filter was implemented to improve accuracy and reduce noise in proximity measurements. Image processing algorithms, including Convolutional Neural Networks (CNN) for object detection and edge detection techniques, were employed to analyze visual sensor data. These algorithms were integrated into a decision-making framework that used a weighted average of sensor inputs to guide the gripper's actions.

### 3.3. Experimental Setup and Testing Procedures

The experimental phase involved both laboratory and field tests to evaluate the gripper's performance under various conditions. In the laboratory, a simulated planting environment was created to assess the gripper's accuracy, speed, and gentleness in handling seedlings. Multiple trials were conducted with different seedling sizes and orientations to test the system's adaptability. Field tests were then carried out in actual rice paddies to evaluate real-world performance. The experimental design included randomized plots comparing the sensor-enhanced gripper system to traditional manual planting methods. Key performance metrics measured included planting accuracy (depth and spacing), seedling survival rate, planting speed, and labor efficiency. Additionally, the system's ability to adapt to different soil conditions and weather variables was assessed during these field trials.

### 3.4. Data Collection and Analysis Methods

Throughout the experiments, comprehensive data collection protocols were implemented. Sensor readings, including force measurements, proximity data, and visual information, were continuously logged and time-stamped for analysis. High-speed cameras were used to capture the gripper's movements and interactions with seedlings for detailed motion analysis. In the field tests, regular monitoring of planted seedlings was conducted to track survival rates and growth patterns. Statistical analysis of the collected data was performed using analysis of variance (ANOVA) to compare the performance of the sensor-enhanced gripper system against traditional planting methods. Machine learning algorithms were applied to the accumulated data to identify patterns and optimize the system's decision-making processes over time. The analysis also included an assessment of the system's energy efficiency and overall resource utilization compared to conventional planting techniques.

## 4. Results and Discussion

The gripper mechanism demonstrated remarkable precision and control during the laboratory tests. The integration of force sensors with the PID control system allowed the gripper to maintain consistent gripping pressure, which was crucial for handling delicate rice seedlings without causing damage. The average gripping force applied was within the optimal range of 0.2 to 0.4 N, ensuring that seedlings were held securely without being crushed. The adaptive control algorithms successfully adjusted the gripper's performance in real-time based on the feedback from the sensors, resulting in high accuracy in seedling placement. The proximity sensors and visual sensors worked in tandem to enhance the precision of seedling alignment, with the Kalman filter significantly reducing measurement noise and improving detection accuracy.

In terms of speed, the gripper was able to complete the planting of a single seedling within 2.5 seconds on average, which is competitive with traditional manual planting methods. The CNN-based image processing algorithms achieved a 95% accuracy rate in seedling detection, even when the seedlings were partially obscured or oriented at irregular angles. This high level of accuracy indicates the robustness of the visual system in various challenging scenarios.



Fig. 4. Robot Picks 4 Rice Seeds



Fig. 5. Robot Carrying 4 Rice Paddies



**Fig. 6.** Area to Plant 4 Rice

Field tests conducted in actual rice paddies provided valuable insights into the gripper's performance under real-world conditions. The sensor-enhanced gripper system outperformed traditional manual planting methods in several key metrics. The planting accuracy, in terms of both depth and spacing, was notably higher with the robotic system. The gripper achieved an average planting depth accuracy of  $\pm 1.2$  cm, and spacing accuracy was within  $\pm 1.5$  cm, compared to manual planting, which had variances of  $\pm 3$  cm in both metrics. This increased precision is expected to contribute to more uniform growth and potentially higher yields.

The seedling survival rate was another critical metric where the gripper system excelled. Seedlings planted by the robotic system had a survival rate of 92%, which is significantly higher than the 85% survival rate observed with manual planting. The gentle handling by the gripper, coupled with precise placement, likely contributed to the higher survival rate.

In terms of efficiency, the robotic system demonstrated a planting speed of approximately 150 seedlings per hour, compared to the average rate of 100 seedlings per hour by a skilled manual laborer. This represents a 50% improvement in labor efficiency, which could translate into significant cost savings for large-scale farming operations.

The field trials also highlighted the gripper's adaptability to different soil conditions and environmental variables. The system performed consistently across varying soil moisture levels, from dry to saturated conditions, with only minor adjustments needed in the gripping force and planting depth. The adaptive algorithms played a crucial role in these adjustments, ensuring that the gripper could adapt to changing conditions without compromising performance. Additionally, the system's energy consumption was monitored throughout the trials. The gripper's energy efficiency was found to be comparable to that of conventional robotic systems, with the added advantage of enhanced precision and control.

The statistical analysis using ANOVA confirmed the superiority of the sensor-enhanced gripper system over traditional methods in terms of planting accuracy, and efficiency. The p-values obtained from the analysis were all below 0.05, indicating that the differences observed between the two methods were statistically significant. Moreover, machine learning algorithms applied to the data revealed patterns that could further optimize the gripper's performance, such as identifying the optimal force range for different soil types and adjusting the speed of operation based on real-time environmental feedback.

The results of this study demonstrate the potential of advanced gripper technology integrated with sophisticated control systems to revolutionize rice planting practices. The high level of precision, efficiency, and adaptability achieved by the system suggests that it could significantly improve productivity in rice farming, particularly in regions where labor is scarce or expensive.

However, some challenges remain, particularly in further enhancing the gripper's adaptability to extreme environmental conditions, such as very high or low temperatures and heavy rainfall. Additionally, while the current system is effective, further research is needed to reduce its energy consumption and increase its durability for long-term use in the field.

In conclusion, the sensor-enhanced gripper system developed in this study represents a significant advancement in agricultural robotics. Its successful implementation in both laboratory and



field settings provides a solid foundation for further development and commercialization, with the potential to contribute to more sustainable and efficient farming practices worldwide.

## 5. Conclusion

This study has successfully demonstrated the development and implementation of an advanced gripper mechanism, specifically tailored for optimizing rice planting practices in robotic applications. The integration of force, proximity with a sophisticated control system enabled the gripper to achieve high precision and efficiency in both laboratory and field settings. The results indicate that the sensor-enhanced gripper system outperforms traditional manual planting methods in several key areas, including planting accuracy, seedling survival rate, and labor efficiency.

The gripper's ability to adapt to varying soil conditions and environmental factors underscores its potential as a versatile tool in modern agriculture. The application of PID control and adaptive algorithms, combined with advanced image processing techniques, allowed the system to maintain optimal performance under diverse conditions, significantly reducing the likelihood of seedling damage and improving overall planting quality.

The field tests further confirmed the practicality and robustness of the gripper system in real-world scenarios, with the system demonstrating superior planting accuracy and speed compared to manual methods. While the study highlights the considerable benefits of using gripper technology in rice planting, it also identifies areas for future improvement, such as enhancing the system's adaptability to extreme conditions, further reducing energy consumption, and increasing durability for prolonged field use. Additionally, the exploration of more advanced AI-driven control systems offers promising avenues for further optimizing the system's performance and expanding its applicability to other crops.

In conclusion, the sensor-enhanced gripper system developed in this study represents a significant advancement in agricultural robotics. Its successful implementation offers a practical solution for increasing productivity and efficiency in rice farming, with the potential for broader applications in precision agriculture. The findings of this research contribute valuable insights to the field and lay the groundwork for future innovations in robotic automation for sustainable farming practices.

## References

- [1] S. Vera and S. Prado, "Synthesis and Optimization of a Needles Robotic Gripper Mechanism for transplanting seedlings," 2020 IEEE ANDESCON, Quito, Ecuador, pp. 1-6, 2020.
- [2] A. M. Almassri, W. Z. WanHasan, S. A. Ahmad, A. J. Ishak and C. Wada, "Optimisation of grasping object based on pressure sensor measurement for robotic hand gripper," 2015 9th International Conference on Sensing Technology (ICST), Auckland, New Zealand, 2015.
- [3] M. N. Saadatzi, S. K. Das, I. B. Wijayasinghe, D. O. Popa and J. R. Baptist, "Precision Grasp Control with a Pneumatic Gripper and a Novel Fingertip Force Sensor," 2018 IEEE 14th International Conference on Automation Science and Engineering (CASE), Munich, Germany, 2018.
- [4] Mahanta, Golak Bihari et al. "Optimal design of a parallel robotic gripper using enhanced multi-objective ant lion optimizer with a sensitivity analysis approach." *Assembly Automation*40 (2020): 703-721.
- [5] E. Navas, R. Fernández, D. Sepúlveda, M. Armada and P. Gonzalez-de-Santos, "Soft Gripper for Robotic Harvesting in Precision Agriculture Applications," 2021 IEEE International Conference on Autonomous Robot Systems and Competitions (ICARSC), Santa Maria da Feira, Portugal, pp. 167-172, 2021.
- [6] F. Visentin, F. Castellini, R. Muradore, A soft, sensorized gripper for delicate harvesting of small fruits, *Comput. Electron. Agric.* 213 (2023).
- [7] Zhang B, Xie Y, Zhou J, Wang K and Zhang Z, State-of-the-art robotic grippers, grasping and control strategies, as well as their applications in agricultural robots: a review. *Comput Electron Agr*177:105694 (2020).





- [8] Ansary, Sainul Islam, Sankha Deb and Alok Kanti Deb. "Design of a sensor integrated adaptive gripper." *ArXiv* abs/2008.11754 (2020): n. pag.
- [9] Syafeeza, A. ., N. Abdul Hamid, M. Ling Eng, G. Wei Lee, H. Jia Thai, and A. Naja Amsan. "Robotic Arm Gripper Using Force Sensor for Crop Picking Mechanism". *Journal of Telecommunication, Electronic and Computer Engineering (JTEC)*, vol. 14, no. 4, pp. 11-15, Dec. 2022.
- [10] Liu, Chih-Hsing et al. "Topology and Size-Shape Optimization of an Adaptive Compliant Gripper with High Mechanical Advantage for Grasping Irregular Objects." *Robotica* 37 ,1383 – 1400, 2019.
- [11] Yang, Mei et al. "Twining plant inspired pneumatic soft robotic spiral gripper with a fiber optic twisting sensor." *Optics express* 28 23, 35158-35167, 2020.





**This Page Is Intentionally Left Blank**

